

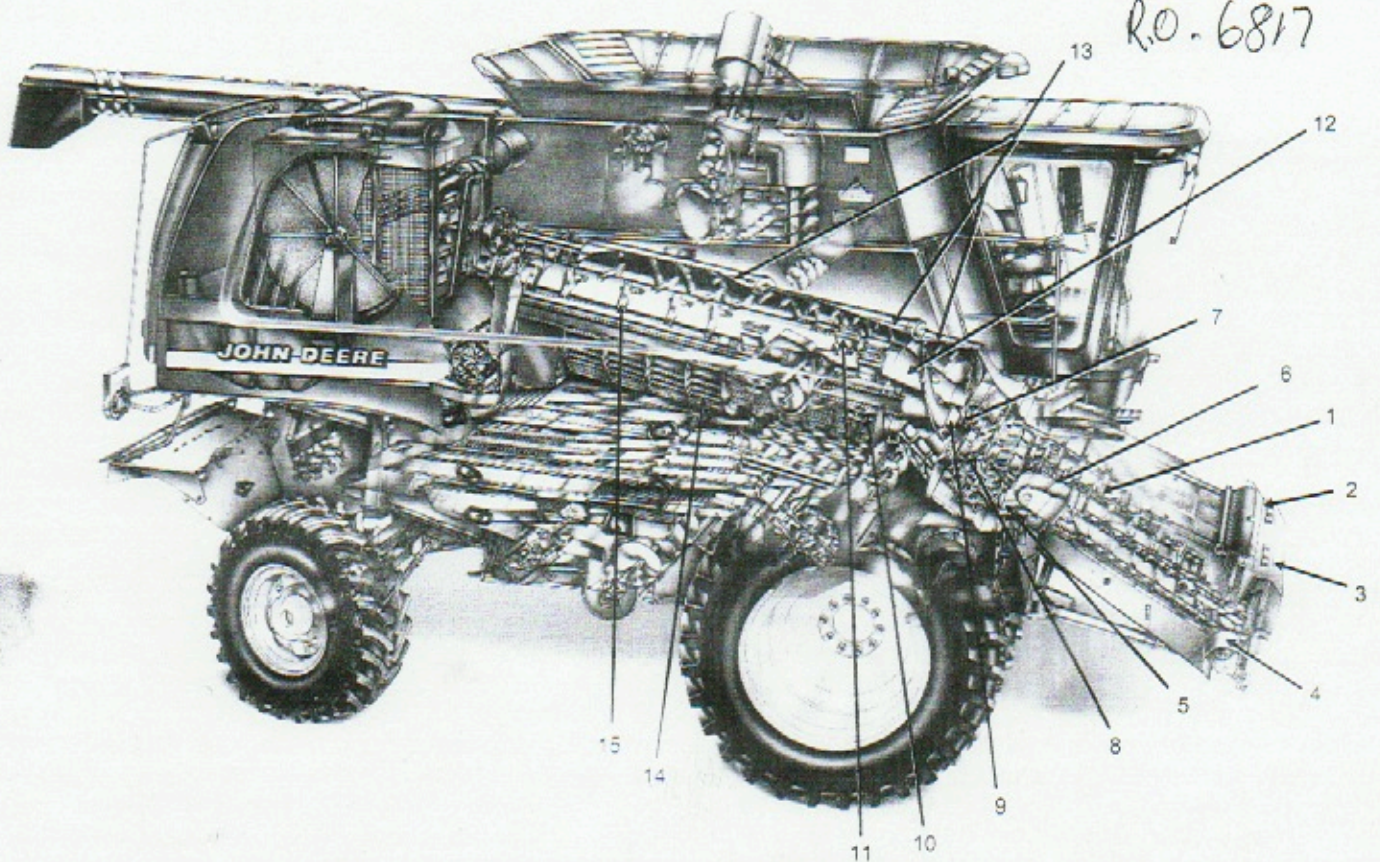
# DO IT RIGHT... NOW!



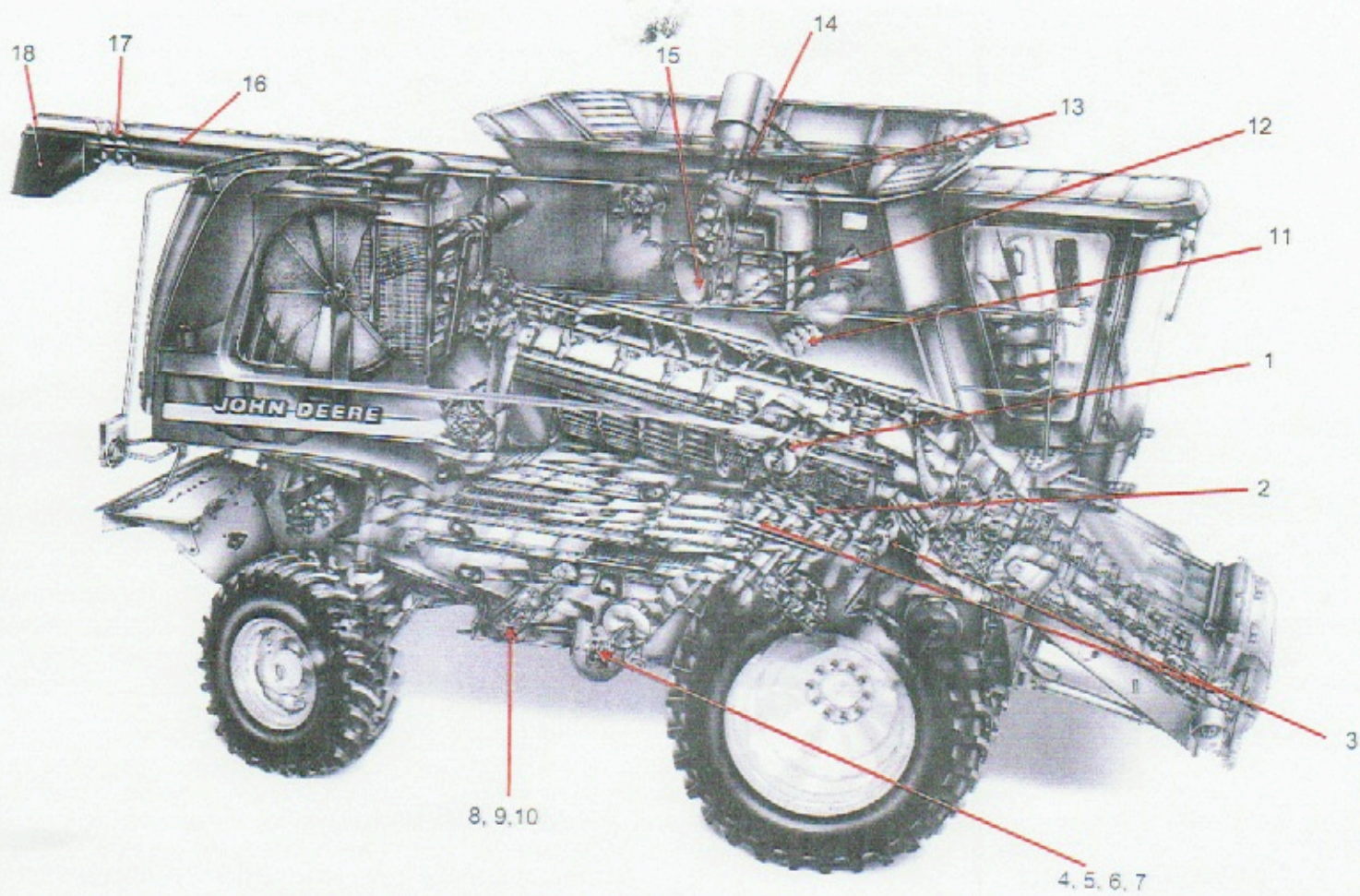
## INSPECTION CHECKLIST

JOHN DEERE

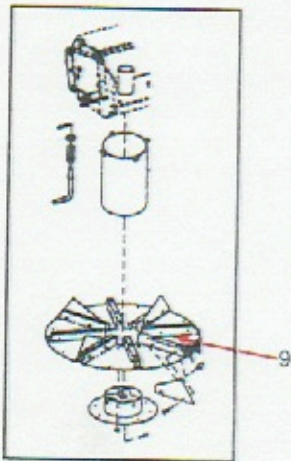
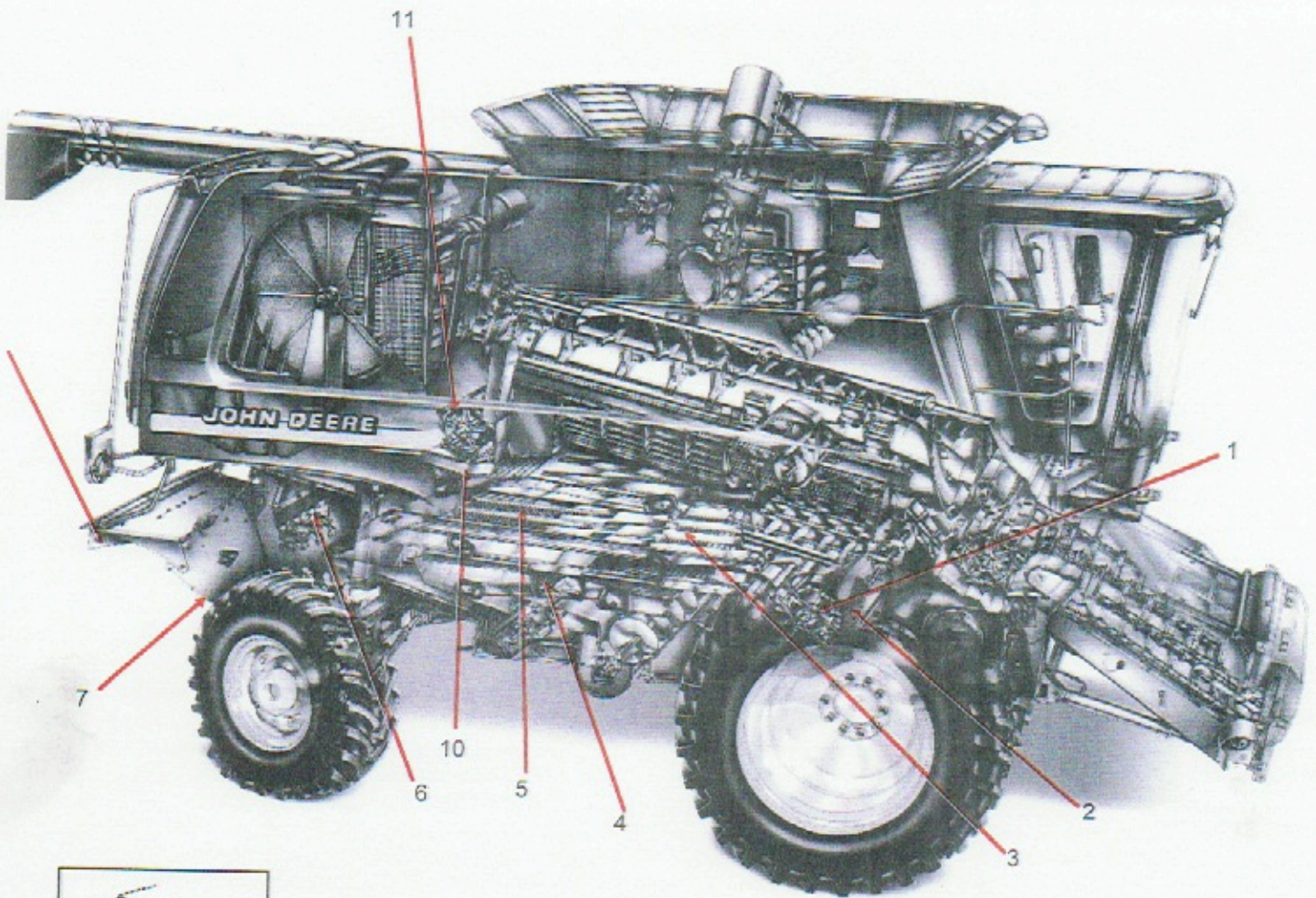
Customer Boxwell 799-3959 Date 11-13-2012  
 Address \_\_\_\_\_ Phone \_\_\_\_\_  
 Model 9870 STS PIN 1H0987053A0736267 Engine/Separator 765/543  
 Customer Signature \_\_\_\_\_



	CONDITION / ACTION		COMMENTS
1. Conveyor Chain	Replace	<u>OK</u>	Straighten - <del>to</del> 4 hrs
2. Reverser Gear Case	Replace	<u>OK</u>	Full of Air
3. Front Drum	Replace	<u>OK</u>	
4. Feeder House Drive Chain	<u>Replace</u>	OK	Needs link taken out. 2hr
5. Feed Plate	Replace	<u>OK</u>	
6. Top Shaft & Sprockets	Replace	<u>OK</u>	
7. Tri-Flow Feed Ramp	Replace	<u>OK</u>	
8. F.A.S.T. Wear Strips	Replace	<u>OK</u>	
9. Separator Feed Flights	Replace	<u>OK</u>	
10. Concave ( <u>Front</u> Middle & Rear)	<u>Replace</u>	OK	Front Bars broken
11. Threshing Elements	<u>Replace</u>	OK	2nd Row - Bigger Elements
12. Concave Z-Bar Adjusting Plate (L.H. Side)	Replace	<u>OK</u>	
13. Top Covers (Feeding, Threshing, & Separating)	Replace	<u>OK</u>	
14. Separator Grates	Replace	<u>OK</u>	
15. Separator Tines	<u>Replace</u>	OK	Look at Replacing Next year



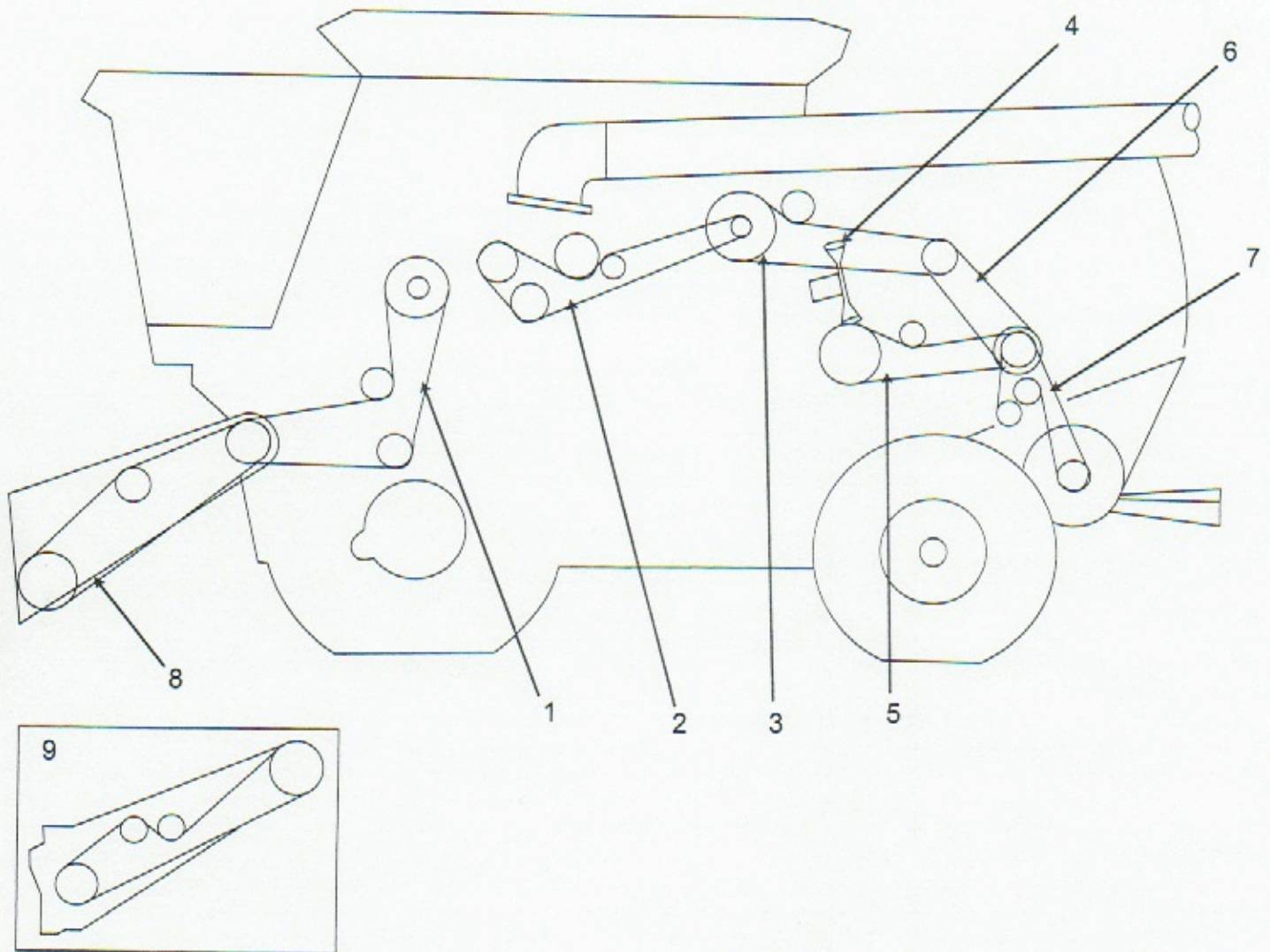
	CONDITION / ACTION		COMMENTS
1. Upper Tailings Elevator Auger	Replace	OK	
2. Shoe Grain Supply Augers	Replace	OK	
3. Shoe Grain Supply Bearing & Sprockets	Replace	OK	
4. Clean Grain Auger & Sprocket	Replace	OK	
5. Clean Grain Elevator Chain	Replace	OK	
6. Clean Grain Lower Auger Door	Replace	OK	
7. Clean Grain Lower Elevator Housing	Replace	OK	
8. Tailing Elevator Chain	Replace	OK	
9. Lower Tailing Auger	Replace	OK	Needs Tightened
10. Lower Tailing Auger Trough	Replace	OK	
11. Grain Tank Cross Auger	Replace	OK	
12. Vertical Unloading Auger	Replace	OK	
13. Unloading Auger Gearcase	Replace	<del>OK</del>	
14. Grain Tank Loading Auger Housing	Replace	OK	
15. Grain Tank Loading Auger Gear Box	Replace	OK	
16. Horizontal Outer Unloading Auger Housing	Replace	OK	
17. Horizontal Unloading Auger	Replace	OK	
18. Auger Discharge Spout	Replace	OK	



	CONDITION / ACTION		COMMENTS
1. Cleaning Fan Blades, Bearing & Sheaves	Replace	OK	
2. Cleaning Fan Housing	Replace	OK	
3. Front Chaffer and Frame	Replace	OK	
4. Sieve & Sieve Frame	Replace	OK	
5. Chaffer and Chaffer Frame	Replace	OK	
6. Straw Chopper Blades & Knives ▲	Replace	OK	Replace Chopper Blades & Rotate Station Knives
7. Chopper Bottom	Replace	OK	
8. Chopper Deflector and Vanes	Replace	OK	
9. Straw Spreader	Replace	OK	
10. Discharge Beater Grate	Replace	OK	
11. Discharge Beater Wing Replacement	Replace	OK	

1.  
2.  
3.  
4.  
5.  
6.  
7.  
8.  
9.

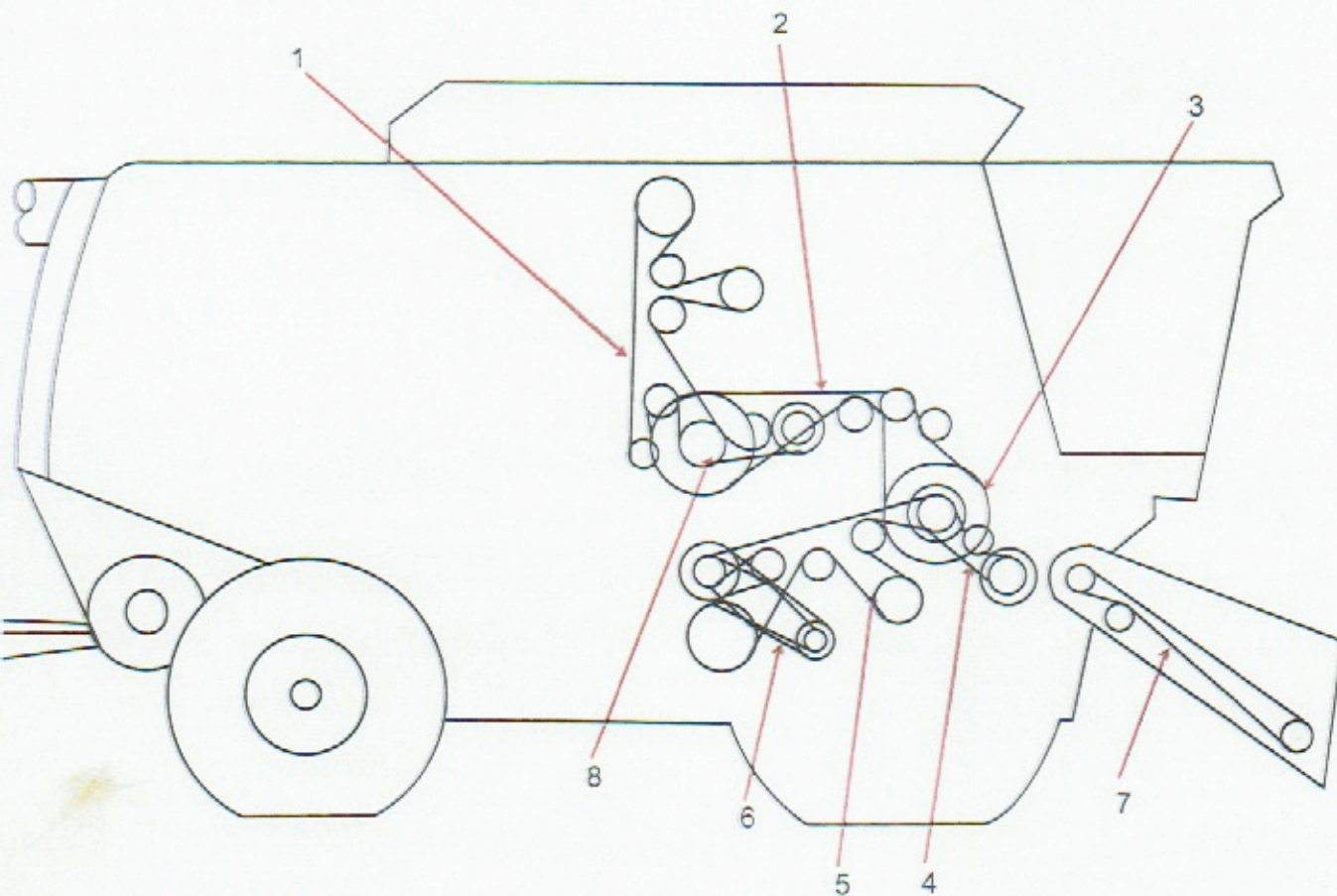
# L.H. BELT & CHAIN ROUTING



	CONDITION / ACTION		COMMENTS
1. Header and Reel Pump Belt	Replace	<del>OK</del>	
2. Unloading Auger Drive Chain	Replace	<del>OK</del>	
3. Unloading Auger Belt	Replace	<del>OK</del>	
4. STS Variable Drive Belt	Replace	<del>OK</del>	
5. Discharge Beater Belt	Replace	<del>OK</del>	
6. Countershaft, Discharge Beater & Chopper Belt	Replace	<del>OK</del>	
7. Straw Chopper Belt	Replace	<del>OK</del>	
8. Variable Drive Feederhouse Belt	Replace	OK	
9. Fixed Speed Feederhouse Belt	Replace	<del>OK</del>	

1  
2  
3  
4  
5  
6  
7  
8

# R.H. BELT & CHAIN ROUTING



MODEL NO 9870 STS

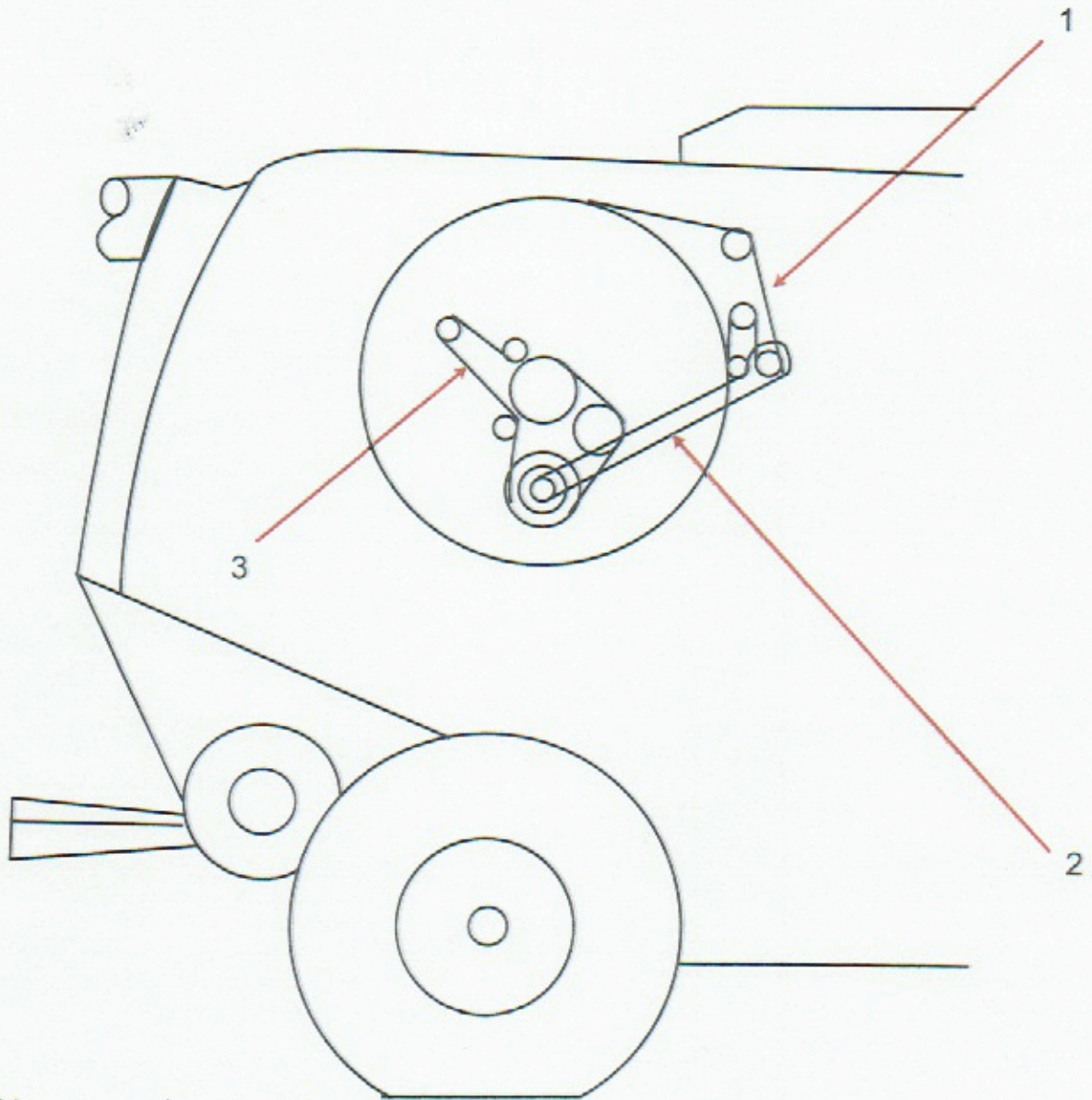
**STS COMBINE**

LAST NAME Boxwell

FIRST NAME

	CONDITION / ACTION		COMMENTS
Clean Grain Elevator Belt	Replace	<u>OK</u>	
R.H. Jackshaft (Rear) Belt	Replace	<u>OK</u>	
R.H. Jackshaft (Front) Belt	Replace	<u>OK</u>	
Feed Accelerator Belt	Replace	<u>OK</u>	
Shoe Fan and Conveyor Auger Belt	Replace	<u>OK</u>	
Cleaning Fan Belt	Replace	<u>OK</u>	
Feederhouse Drive Chain	<u>Replace</u>	OK	Take link out
Tailing Auger and Elevator Belt	Replace	<u>OK</u>	

# L.H. BELT ROUTING



Blow out Radiator

	CONDITION / ACTION		COMMENTS
1. Rotary Screen Drive Belt	Replace	OK	
2. Rotary Engine Drive Belt	Replace	OK	
3. Alternator & AC Compressor Drive Belt	Replace	OK	

# Other Areas To Inspect To Maximize STS Combine Performance:



- ✓
- ✓
- ✓
- 
- 
- ✓
- ✓
- ✓
- ✓
- ✓
- ✓
- ✓
- ✓
- ✓
- ✓
- ✓
- ✓
- ✓
- ✓
- ✓

1. All safety shields ▲
  - A. Decals ▲
  - B. SMV ▲
  - C. Warning Lights ▲
2. A/C systems (refrigerant charge, cab filter, & ball)
3. Check engine oil with OILSCAN (oil/filter change)
4. Engine fluid leaks (oil) coolant, fuel leaking from oil pan
5. Radiator cooling system with COOLSCAN, (flush and replace)
6. Hydraulic / Hydrostatic system (reservoir, leaks, hoses, oil change)
7. Alternator (output, belt)
8. Batteries (cables, connections)
9. Water pump
10. Power steering system (hoses/valves/cylinders) ▲
11. Rotary screen (vacuum duct/trash knives, belt)
12. Air intake system (turbo, filter, leaks, clamps)
13. Rotor gearcase (change oil)
14. Reverser gearcase (change oil)
15. Transmission (oil change, check drive shaft couplers)
16. Fuel filters (replace) Water separator bowl (clean)
17. Final drives (oil change)
18. Power rear wheel drive
19. Brake system reservoir (fluid level) ▲
20. Electro-magnetic clutch (engage/disengage) ▲







Remit To:  
**Frontline Ag, LLC.**  
 127 S. Main  
 Conrad, MT 59425  
 Phone: 406-278-5531  
 Fax: 406-278-5641

**Frontline Ag, LLC.**  
 P.O. Box 697  
 Cutbank, MT 59427  
 Phone: 406-873-5505  
 Fax: 406-873-5494

**Frontline Ag, LLC.**  
 P.O. Box 168  
 Choteau, MT 59422  
 Phone: 406-466-5741  
 Fax: 406-466-2513

**Frontline Ag, LLC.**  
 1025 Selway Drive  
 Dillon, MT 59725  
 Phone: 800-683-4281  
 or: 406-683-4281



**JOHN DEERE**

Invoice To Account No.: 4496

Deliver To:

**\*\*\* DOCUMENT COPY \*\*\***

**SERVICE INVOICE**

BOXWELL FARMS INC.  
 PRESIDEN MERLIN BOXWELL  
 P.O. BOX 65  
 CUT BANK MT 59427

Phone: 406-873-4257

BOXWELL FARMS INC.  
 1021 1ST STREET S.E.  
 CUT BANK MT 59427

Phone: 406-873-4257

Invoice Number: **141557**  
 Invoice Date: 12/10/2012  
 Branch: 2  
 Repair Order Number: 6817  
 Payment Type: Account

Make/Model: JOHN DEERE 9870S  
 Meter Reading: 765  
 Serial Number: 1H09870SJA0736267  
 Equipment Number: 11539W  
 Page: 1 of 6

**Gen- Retail**  
**INSPECTION**

\$350.00

Technician Comments:

warmed up combine before moving it because of weather. ran seperater. lowered grain tank extentions. and dropped rail. drove inside. took off covers, took out concaves. got paperwork. inspected. looked everything up for parts and gave to the parts guys for prices on parts.

**SERVICE ACCESSORIES**

\$52.00

Labor: \$350.00    Parts: \$0.00    Sublet: \$0.00    Misc: \$52.00    Total: \$402.00

**Gen-Chassis & Frame Retail**  
**SERVICE**

\$297.00

Technician Comments:

DRAINED ENGINE OIL. REPLACED AIR FILTERS, CAB FILTERS, FUEL FILTERS AND HYDRAULIC FILTERS. WHEN ENGINE OIL WAS COMPLETELY DRAINED I TOOK OFF PLUG ON OILPAN AND REPLACED O RING BECAUSE IT WAS LEAKING. I ALSO NOTICED THAT A FITTING WAS LOOSE. THIS FITTING CONNECTS TO THE OIL DRAIN HOSE. I TOOK OFF BOTH HOSES AND TIGHTENED THE FITTING, AND INSTALLED BOTH HOSES. I REPLACED THE ENGINE OIL FILTER. AND FILLED WITH 15W-40. I WAS LATER TOLD THAT THE ENGINE OIL SHOULD BE MOBILE. I WILL LET THE CUSTOMER KNOW. I RAN THE MOTOR AND CHECKED OIL LEVEL AGAIN. I NEEDED TO ADD A LITTLE BIT TO MAKE THE FULL LEVEL. I PUT THE FEEDERHOUSE ALL THE WAY ON THE GROUND AND ADDED 1.5 GAL OF ATF TO THE HYDRAULIC RESEVIOUR



Part Number	Description	Quantity	Unit Nett	Value	Taxed Ind
15/40	OIL	44.00	4.73	\$208.12	N
AH115833	Air Filter	1.00	60.91	\$60.91	N
AH128449	Hydraulic Filter	3.00	54.96	\$164.88	N
AH212295	Filter Element	1.00	86.27	\$86.27	N
AH222225	Filter Element	1.00	140.60	\$140.60	N
AH225937	KIT	6.00	105.00	\$630.00	N



Remit To:  
**Frontline Ag, LLC.**  
 127 S. Main  
 Conrad, MT 59425  
 Phone: 406-278-5531  
 Fax: 406-278-5841

**Frontline Ag, LLC.**  
 P.O. Box 697  
 Cutbank, MT 59427  
 Phone: 406-873-5505  
 Fax: 406-873-5494

**Frontline Ag, LLC.**  
 P.O. Box 168  
 Choteau, MT 59422  
 Phone: 406-466-5741  
 Fax: 406-466-2513

**Frontline Ag, LLC.**  
 1025 Selway Drive  
 Dillon, MT 59725  
 Phone: 800-683-4281  
 or: 406-683-4281



**JOHN DEERE**

Invoice To Account No.: 4496

Deliver To:

**\*\*\* DOCUMENT COPY \*\*\***

**SERVICE INVOICE**

BOXWELL FARMS INC.  
 PRESIDEN MERLIN BOXWELL  
 P.O. BOX 65  
 CUT BANK MT 59427

Phone: 406-873-4257

BOXWELL FARMS INC.  
 1021 1ST STREET S.E.  
 CUT BANK MT 59427

Phone: 406-873-4257

Invoice Number: **141557**  
 Invoice Date: 12/10/2012  
 Branch: 2  
 Repair Order Number: 6817  
 Payment Type: Account

Make/Model: JOHN DEERE 9870S  
 Meter Reading: 765  
 Serial Number: 1H09870SJA0736267  
 Equipment Number: 11539W  
 Page: 2 of 6

**Gen-Chassis & Frame Retail**

Part Number	Description	Quantity	Unit Price	Total Price	Tax
ATF-5	ATF 5 G	1.00	83.62	\$83.62	N
H220870	Air Filter	1.00	56.79	\$56.79	N
RE530107	Oil Filter	1.00	51.64	\$51.64	N
RE532952	Filter Element	1.00	98.41	\$98.41	N
RE533910	Fuel Filter	1.00	113.56	\$113.56	N
TY26101	Cleaning Solvent	2.00	4.92	\$9.84	N

Labor: \$297.00    Parts: \$1,704.64    Sublet: \$0.00    Misc: \$0.00    Total: \$2,001.64

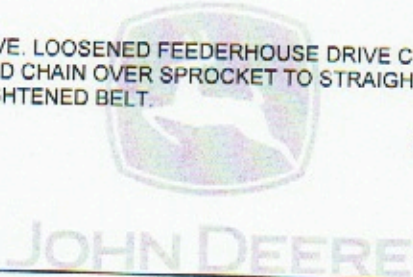
**Gen-Electrical Retail**

STRAIGHTEN FEEDER HOUSE CHAIN

\$396.00

**Technician Comments:**

LOOSENE BELT. AND TOOK OFF TENTIONER SHIEVE. LOOSENE FEEDERHOUSE DRIVE CHAIN. LOOSENE FEEDER HOUSE CONVEYER CHAIN. TOOK A BAR AND ROLLED CHAIN OVER SPROCKET TO STRAIGHTEN. TIGHTENED CONVEYER CHAIN. PUT ON TENTIONER SHIEVE. TIGHTENED BELT.



Part Number	Description	Quantity	Unit Price	Value	Taxed Ind
A-CL60	Chain Link	1.00	1.74	\$1.74	N
A-OL60	Chain Link	1.00	3.24	\$3.24	N
A-RC60X50	Roller Chain	176.00	0.37	\$65.12	N

Labor: \$396.00    Parts: \$70.10    Sublet: \$0.00    Misc: \$0.00    Total: \$466.10



Remit To:  
**Frontline Ag, LLC.**  
 127 S. Main  
 Conrad, MT 59425  
 Phone: 406-278-5531  
 Fax: 406-278-5841

**Frontline Ag, LLC.**  
 P.O. Box 697  
 Cutbank, MT 59427  
 Phone: 406-873-5505  
 Fax: 406-873-5494

**Frontline Ag, LLC.**  
 P.O. Box 168  
 Choteau, MT 59422  
 Phone: 406-466-5741  
 Fax: 406-466-2513

**Frontline Ag, LLC.**  
 1025 Selway Drive  
 Dillon, MT 59725  
 Phone: 800-683-4281  
 or: 406-683-4281



**JOHN DEERE**

Invoice To Account No.: 4496

Deliver To:

\*\*\* DOCUMENT COPY \*\*\*

**SERVICE INVOICE**

BOXWELL FARMS INC.  
 PRESIDEN MERLIN BOXWELL  
 P.O. BOX 65  
 CUT BANK MT 59427

Phone: 406-873-4257

BOXWELL FARMS INC.  
 1021 1ST STREET S.E.  
 CUT BANK MT 59427

Phone: 406-873-4257

Invoice Number: **141557**  
 Invoice Date: 12/10/2012  
 Branch: 2  
 Repair Order Number: 8817  
 Payment Type: Account

Make/Model: JOHN DEERE 9870S  
 Meter Reading: 765  
 Serial Number: 1H09870SJA0736287  
 Equipment Number: 11539W  
 Page: 3 of 6

**Gen-Engine Retail**

TAKE LINK OUT OF FEEDER HOUSE DRIVE CHAIN

\$99.00

**Technician Comments:**

instead of taking a link out i installed a new chain. we called the customer to let him know and he gave us the go ahead. i took off old chain, took into parts. counted the links and cut a new chain. i also used a half link and a connector link. i installed new chain and tightened to specs.

Labor: \$99.00    Parts: \$0.00    Sublet: \$0.00    Misc: \$0.00    Total: \$99.00

**Gen-Fuel,Air,Cooling Retail**

BARS BROKEN ON FRONT CONCAVE

\$198.00

**Technician Comments:**

took existing hardware off old concave and installed on new concave

Part Number	Description	Quantity	Unit Nett	Value	Taxed Ind
AH205254	Concave	1.00	1,215.40	\$1,215.40	N

Labor: \$198.00    Parts: \$1,215.40    Sublet: \$0.00    Misc: \$0.00    Total: \$1,413.40

**Gen-Hydraulic Retail**

REPLACE 2ND ROW OF THRESHING ELEMENTS

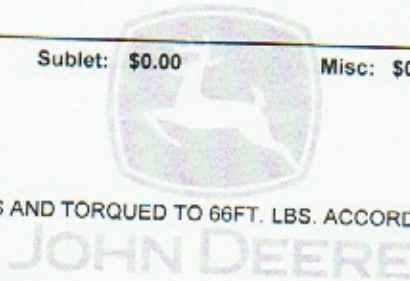
\$99.00

**Technician Comments:**

TOOK OFF OLD ELEMENTS. PUT ON NEW ELEMENTS AND TORQUED TO 66FT. LBS. ACCORDING TO SPECS.

Part Number	Description	Quantity	Unit Nett	Value	Taxed Ind
AH216675	Kit	1.00	514.54	\$514.54	N

Labor: \$99.00    Parts: \$514.54    Sublet: \$0.00    Misc: \$0.00    Total: \$613.54





Remit To:  
**Frontline Ag, LLC.**  
 127 S. Main  
 Conrad, MT 59425  
 Phone: 406-278-5531  
 Fax: 406-278-5641

**Frontline Ag, LLC.**  
 P.O. Box 697  
 Cutbank, MT 59427  
 Phone: 406-873-5505  
 Fax: 406-873-5494

**Frontline Ag, LLC.**  
 P.O. Box 168  
 Choteau, MT 59422  
 Phone: 406-466-5741  
 Fax: 406-466-2513

**Frontline Ag, LLC.**  
 1025 Selway Drive  
 Dillon, MT 59725  
 Phone: 800-883-4281  
 or: 406-683-4281



**JOHN DEERE**

Invoice To Account No.: 4496

Deliver To:

\*\*\* DOCUMENT COPY \*\*\*

**SERVICE INVOICE**

**BOXWELL FARMS INC.**  
 PRESIDEN MERLIN BOXWELL  
 P.O. BOX 65  
 CUT BANK MT 59427

Phone: 406-873-4257

**BOXWELL FARMS INC.**  
 1021 1ST STREET S.E.  
 CUT BANK MT 59427

Phone: 406-873-4257

**Invoice Number: 141557**  
**Invoice Date: 12/10/2012**  
**Branch: 2**  
**Repair Order Number: 6817**  
**Payment Type: Account**

**Make/Model: JOHN DEERE 9870S**  
**Meter Reading: 765**  
**Serial Number: 1H09870SJA0736267**  
**Equipment Number: 11539W**  
**Page: 4 of 6**

**Gen-Operator Station Retail**  
 TIGHTEN TAILINGS ELEVATOR CHAIN

\$49.50

Technician Comments:

TOOK OFF BEARING CAP. LOOSENED 4 BOLTS. TIGHTENED CHAIN. TIGHTENED BOLTS. PUT ON BEARING CAP. NEXT YEAR THERE NEEDS TO BE A LINK TAKEN OUT BECAUSE IT IS OUT OF ADJUSTMENT.

Labor: \$49.50      Parts: \$0.00      Sublet: \$0.00      Misc: \$0.00      Total: \$49.50

**Gen-Steering&Brakes Retail**

REPLACE CHOPPER BLADES AND CHANGE AROUND STATIONARY KNIVES

\$396.00

Technician Comments:

took off knife bank and switched around stationary knives. installed knife bank. i got four boxes of blades for the chopper and i installed what i could. i still have one row to do and the parts are on there way got tools ready. drove to location and it is 10 miles out of town. started compressor. opened blade boxes. took off old blades. installed new ones. noticed that a plug o ring was leaking after i replaced it in the shop. i will call merlin and talk to him about it and see what he wants to do. i loaded up tools and bled off compressor. also picked up area.

Labor: \$396.00      Parts: \$0.00      Sublet: \$0.00      Misc: \$0.00      Total: \$396.00

**Gen-Trans & PT Retail**

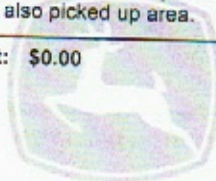
LEAKING ENGINE OIL

\$148.50

Technician Comments:

WHILE I WAS SERVICING AND THE ENGINE OIL WAS DRAINED. I REPLACED A O RING ON THE OILPAN PLUG.

Labor: \$148.50      Parts: \$0.00      Sublet: \$0.00      Misc: \$0.00      Total: \$148.50



JOHN DEERE



Remit To:  
**Frontline Ag, LLC.**  
 127 S. Main  
 Conrad, MT 59425  
 Phone: 406-278-5531  
 Fax: 406-278-5641

**Frontline Ag, LLC.**  
 P.O. Box 697  
 Cutbank, MT 59427  
 Phone: 406-873-5505  
 Fax: 406-873-5494

**Frontline Ag, LLC.**  
 P.O. Box 168  
 Choteau, MT 59422  
 Phone: 406-466-5741  
 Fax: 406-466-2513

**Frontline Ag, LLC.**  
 1025 Selway Drive  
 Dillon, MT 59725  
 Phone: 800-683-4281  
 or: 406-683-4281



**JOHN DEERE**

Invoice To Account No.: 4496

Deliver To:

\*\*\* DOCUMENT COPY \*\*\*

**SERVICE INVOICE**

BOXWELL FARMS INC.  
 PRESIDEN MERLIN BOXWELL  
 P.O. BOX 65  
 CUT BANK MT 59427

Phone: 406-873-4257

BOXWELL FARMS INC.  
 1021 1ST STREET S.E.  
 CUT BANK MT 59427

Phone: 406-873-4257

Invoice Number: **141557**  
 Invoice Date: 12/10/2012  
 Branch: 2  
 Repair Order Number: 6817  
 Payment Type: Account

Make/Model: JOHN DEERE 9870S  
 Meter Reading: 765  
 Serial Number: 1H09870SJA0736267  
 Equipment Number: 11539W  
 Page: 5 of 6

**GS25F826327 Retail**  
 TIGHTEN CHAINS AND BELTS

\$198.00

Technician Comments:

i was going to take a link out of the tailings elevator chain but the customer didn't want it done. all the chains and belts look fine

Labor: \$198.00    Parts: \$0.00    Sublet: \$0.00    Misc: \$0.00    Total: \$198.00

**GS25F826329 Retail**

REPLACE FEEDER HOUSE CHAIN. CUSTOMER REQUESTED THAT OLD CHAIN BE RETURNED TO HIM.

\$99.00

Technician Comments:

took off old chain. counted the links. counted 178 links. cut new chain. needed a half link and a connector link. i got those and installed chain. tightened chain to specs

Labor: \$99.00    Parts: \$0.00    Sublet: \$0.00    Misc: \$0.00    Total: \$99.00

**GS25F826328 Retail**

FIX OIL PAN LEAK

\$364.65

Technician Comments:

GOT TOOLS READY. DROVE TO LOCATION. STARTED MACHINE. PULLED OUT OF SHOP BECAUSE IT WAS IN MERLINS WAY. AND I COULDN'T GET THE MACHIE OPENED. LET RUN FOR AWHILE. DRAINED OIL. THE CUSTOMER WANTED BRAND NEW OIL SO I CALLED IT IN. AND CURTIS BROUGHT ME TEN GALLONS OF PLUS-50 15W-40. I REPLACED O RING AGAIN AND I LET RUN FOR 15 MINUTES AND I CHECKED FOR LEAKS. I DIDN'T FIND ONE SO I DROVE BACK TO THE SHOP AFTER I CLOSED EVERYTHING UP. IT WAS 11 MILES ONE WAY. GOT BACK AND UNLOADED TOOLS. AND CLEANED UP

Part Number	Description	Quantity	Unit Nett	Value	Taxed Ind
R56751	O-Ring	1.00	1.37	\$1.37	N
TY26101	Cleaning Solvent	1.00	4.92	\$4.92	N



Remit To:  
**Frontline Ag, LLC.**  
 127 S. Main  
 Conrad, MT 59425  
 Phone: 406-278-5531  
 Fax: 406-278-5841

**Frontline Ag, LLC.**  
 P.O. Box 697  
 Cutbank, MT 59427  
 Phone: 406-873-5505  
 Fax: 406-873-5494

**Frontline Ag, LLC.**  
 P.O. Box 168  
 Choteau, MT 59422  
 Phone: 406-466-5741  
 Fax: 406-466-2513

**Frontline Ag, LLC.**  
 1025 Selway Drive  
 Dillon, MT 59725  
 Phone: 800-683-4281  
 or: 406-683-4281



**JOHN DEERE**

Invoice To Account No.: 4496

Deliver To: **\*\*\* DOCUMENT COPY \*\*\***

**SERVICE INVOICE**

BOXWELL FARMS INC.  
 PRESIDEN MERLIN BOXWELL  
 P.O. BOX 65  
 CUT BANK MT 59427

Phone: 406-873-4257

BOXWELL FARMS INC.  
 1021 1ST STREET S.E.  
 CUT BANK MT 59427

Phone: 406-873-4257

Invoice Number: **141557**  
 Invoice Date: 12/10/2012  
 Branch: 2  
 Repair Order Number: 6817  
 Payment Type: Account

Make/Model: JOHN DEERE 9870S  
 Meter Reading: 765  
 Serial Number: 1H09870SJA0736267  
 Equipment Number: 11539W  
 Page: 6 of 6

GS25F826328 Retail  
 TY26679

PLUS-50 TM Engine Oil

Labor: \$364.65	Parts: \$191.15	Sublet: \$0.00	Misc: \$0.00	2.00	92.43	\$184.86	N
<b>Total: \$555.80</b>							

Customer PO No.: 9870  
 Tax Exempt No.: 810301549  
 Advisor: JENNIFER WOLFE

Labor: \$2,694.65  
 Parts: \$3,595.83  
 Sublet: \$0.00  
 Misc: \$52.00  
 Sales Tax: \$0.00  
**Total: \$6,442.48**



**JOHN DEERE**

**TERMS AND CONDITIONS**  
 NET 10TH OF MONTH. ALL ACCOUNTS ARE DUE AND PAYABLE ON OR BEFORE THE 10TH OF MONTH FOLLOWING THE DATE OF PURCHASE. A LATE CHARGE OF 1 ¼% PER MONTH (\$1.00 MINIMUM PER MONTH), WHICH IS AN ANNUAL PERCENTAGE RATE OF 15%, WILL BE APPLIED TO PAST DUE ACCOUNTS.

Signed: ..... Date: .....